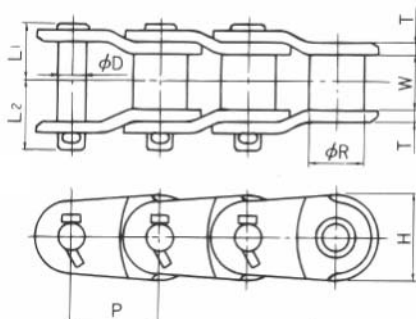
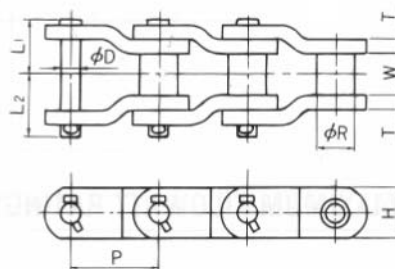


RO Heavy Duty Chains



Form of R0318ON



Form for other sizes

Chain No.	Standard	Pitch P	Roller Diam. R	Inner Width W	Link Plate		Pin			Min. Tensile Strength kN(kgf)	Approx. Mass kg/m	No. of Links/Unit	
					Thickness T	Height H	Diam. D	L1 + L2	L1				L2
R01613AKN		50.80	28.58	32.1	7.9	41.3	15.04	79.4	36.5	42.9	280 (28600)	11.3	57
R0318ON		57.15	35.70	36.7	7.1	54.0	17.45	81.5	37.5	44.1	324 (33000)	15.5	65
R025HN	ANSI	63.50	31.75	38.1	9.5	41.3	15.88	92.1	42.5	49.6	338 (34500)	13.7	66
R0568N	ANSI	77.90	41.28	39.7	9.5	57.2	19.05	97.7	43.7	54.0	447 (45600)	17.9	65
B02512N		77.90	*31.75	39.7	9.5	57.2	19.05	97.7	43.7	54.0	447 (45600)	17.2	67
R03N		78.11	31.75	38.1	7.9	38.1	15.88	86.6	39.7	46.9	236 (24100)	10.5	65
RO3HN		78.11	31.75	38.1	9.5	44.5	16.46	92.5	42.7	49.8	338 (34500)	14.3	65
R03125N		79.38	41.28	39.7	9.5	57.2	22.23	98.4	44.4	54.0	459 (46800)	18.8	69
R01616N	ANSI	88.90	44.45	38.1	12.7	57.2	22.23	110.3	50.0	60.3	559 (57000)	23.9	50
R01338N		92.08	53.98	42.4	14.3	60.3	23.88	123.3	56.9	66.4	722 (73600)	30.0	50
R01644AN		95.25	44.45	38.1	14.3	60.3	23.88	119.0	54.7	64.3	722 (73600)	29.3	50
R01664AN		101.60	57.15	55.9	14.3	85.7	30.16	138.3	63.6	74.7	1110(113000)	44.5	50
RO4HFN		103.20	44.45	49.2	15.9	60.3	23.88	136.5	63.5	73.0	731 (74500)	31.1	50
R04N		103.20	44.45	49.2	12.7	57.2	22.23	120.7	55.6	65.1	559 (57000)	23.9	50
R01245N	ANSI	103.45	45.09	49.2	14.3	60.3	23.88	130.2	60.3	69.9	722 (73600)	27.2	51
R01343N		103.89	47.70	49.2	14.3	69.9	27.91	131.7	60.3	71.4	902 (92000)	31.9	50
R01345N		103.89	50.80	49.2	14.3	69.9	27.91	131.7	60.3	71.4	902 (92000)	32.9	50
R0635N	ANSI	114.30	57.15	52.4	14.3	76.2	27.91	134.9	61.9	73.0	964 (98300)	38.3	53
R01602AAN	ANSI	127.00	63.5	69.9	15.9	88.9	31.65	158.7	73.8	84.9	1330(136000)	52.3	51
R01605AKN		127.00	63.5	69.9	19.1	88.9	34.93	171.5	80.2	91.3	1560(159000)	54.3	50

ANSI (American National Standards Institution)

- Note:**
1. Those marked with * are rollerless. The figure shown is the bush diameter.
 2. All types have a stipulated length and are stock items.

■ For large-size powerful drives and lifting applications

Pre-eminent shock resistance through the use of optimal steel and heat treatment.



■ Attention

Since there is no compatibility with the previous chains, it is not possible to attach new chain with old chain. Therefore, please make sure to change the whole chain upon replacement. However, there is compatibility regarding the sprockets.

"TSUBAKI"

USA, has been stamped on the link plates of the new specification, in order to distinguish between the old and

new specifications, The letters "USA" have not been stamped on the old specification.